

Receiver	From
Society	-
Reference	-
Address	-
Phone	-
Fax	-
E-mail	-

**Item n° :**  
60179373

**Model :**  
K 55/100 T IE3

**Pump data**

MEI ≥

Pressure rating : 10 bar (1000 kPa)

Min. fluid temperature : -10 °C

Max. fluid temperature : 50 °C

Max. Ambient temperature : 40 °C

**Requested data**

Flow : 0.00 l/min

Head : 0.00 m

Fluid : Water

Fluid Temperature : 20 °C

Density : 62.315 lb/ft³

Kinematic viscosity : 1.0769E-5 ft²/s

Vapor pressure : 2.20 kPa

**Hydraulic data (duty point)**

Flow :

Head :

NPSH :

Shaft power P2 :

Efficiency :

**Materials**

Pump body : Cast iron 200 UNI ISO 185

Support : Cast iron 200 UNI ISO 185

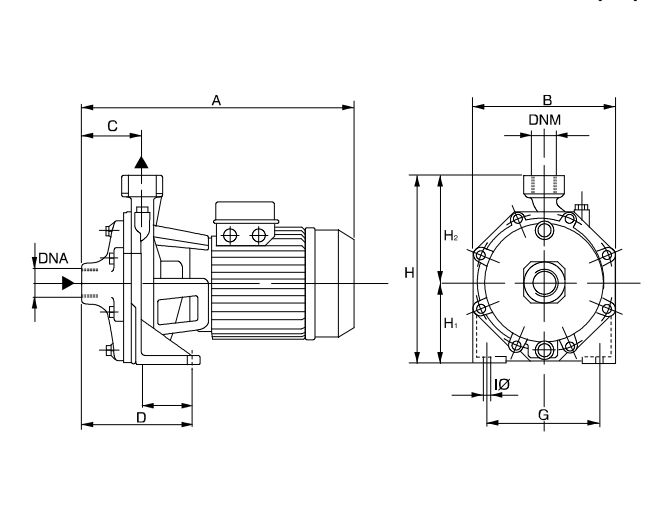
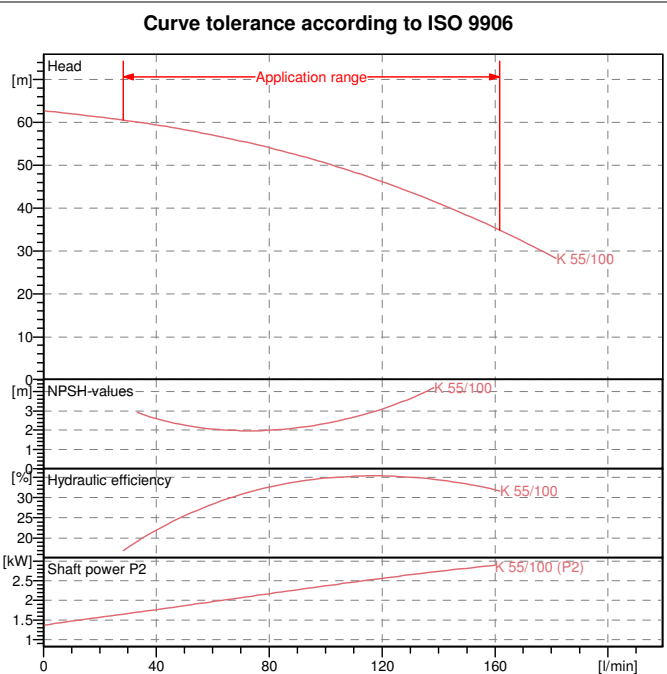
Impeller : Technopolymer A

Mechanical seal : Carbon/Ceramic

OR ring : NBR Rubber

Shaft with rotor : AISI 303 X10 CrNiS 1809 UNI 6900/71

Intermediate cover : Cast iron 200 UNI ISO 185



**Weight :** 83.995 lb

**Motor data**

Motor brand : DAB

Nominal power P2 : 2.2 kW

Rated speed : 2850 rpm

Rated voltage : 3~ 230 V / 400 V 50 Hz

Nominal current : 11.6 / 6.7 A

Degree of protection : IP 55

Dimensions in mm	
A	450
B	256
C	88
D	160
DNA	1"1/2 G
DNM	1" G
E	72
G	200
H	312.5
H1	140
H2	172.5
IØ	14

**Pump connection**

Suction side : 1 " 1/2 G / 10 bar (1000 kPa)

Discharge side : 1 " G / 10 bar (1000 kPa)



# PERFORMANCE CURVES

2020-07-07

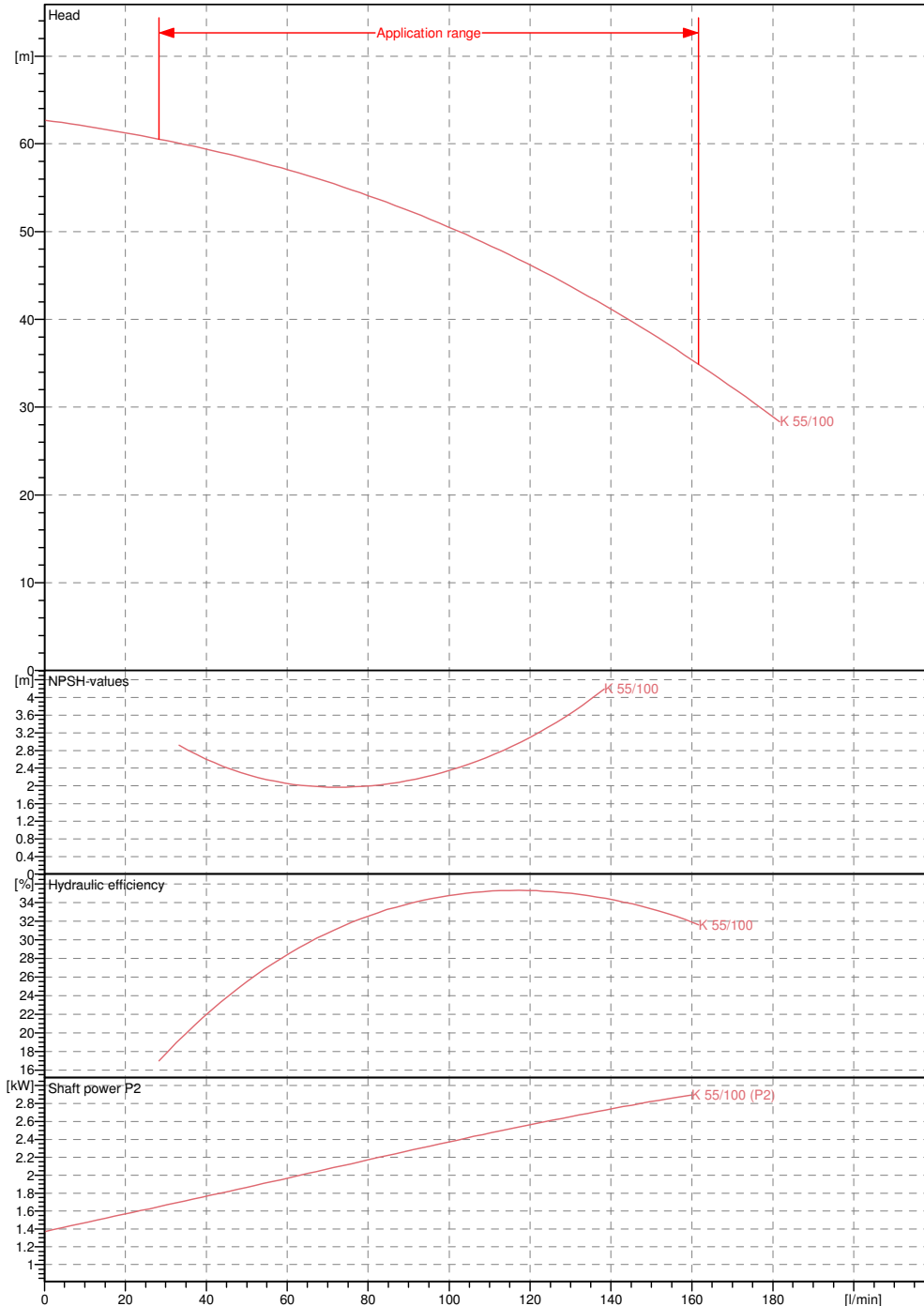
Page 4 / 5

DAB PUMPS S.p.A.  
Via Marco Polo, 14 - 35035 Mestrino (PD), Italy  
Tel. +39 049 5125000 - Fax +39 049 5125950  
www.dabpumps.com

	<b>Receiver</b>	<b>From</b>
Society	-	-
Reference	-	-
Address	-	-
Phone		
Fax		
E-mail		

## K 55/100 T IE3

Curve tolerance according to ISO 9906



Hydraulic data (duty point)

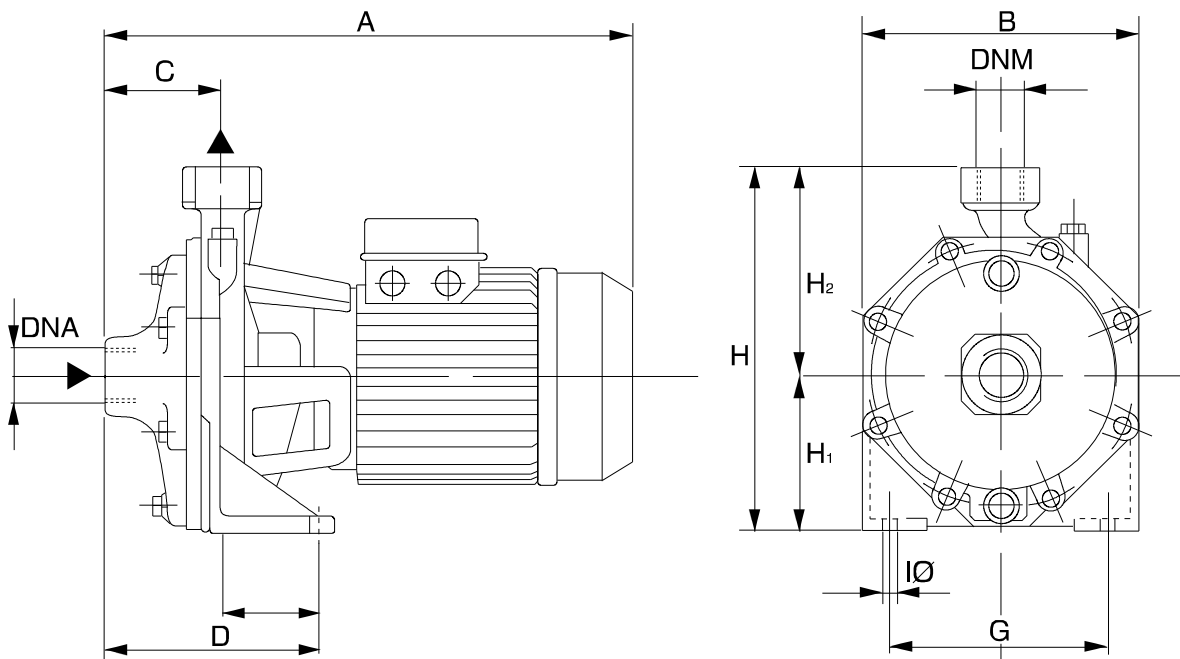
Suction side : 1 " 1/2 G 10 bar (1000 kPa)	Discharge side : 1 " G 10 bar (1000 kPa)	Flow : 0 l/min	Head : 0 m	Rated speed : 2850 rpm
Project	Project ID	Created by	Created on <b>2020-07-07</b>	

Receiver

From

 Society  
 Reference  
 Address  
 Phone  
 Fax  
 E-mail

## K 55/100 T IE3


**Dimensions in mm**

1	A	450	H2	172.5		
2	B	256	Ø	14		
3	C	88				
4	D	160				
5	DNA	1"1/2 G				
6	DNM	1" G				
7	E	72				
8	G	200				
9	H	312.5				
10	H1	140				

**Pump connection**

Suction  
 1" 1/2 G  
 10 bar (1000 kPa)

Discharge  
 1" G  
 10 bar (1000 kPa)

Project

Project ID

Created by

Created on

2020-07-07